

Selecon

PLFRESNEL1 MKII LED



The PLFRESNEL1 MKII LED Luminaire is a general purpose lighting fixture for theatre, small studio, and display lighting applications. It produces an adjustable cone of light with a soft edge which is easily blended with adjacent beams to provide even illumination. Using LED source technology combined with a traditional Fresnel lens, the PLFRESNEL1 MKII LED Luminaire delivers Selecon's industry benchmark quality without the compromising performance of spreader lenses.

A key benefit of the PLFRESNEL1 MKII LED Luminaire is that it is not necessary to change lamps or color filters. Combining the superior control and light quality of a Selecon Fresnel with seamless fading between colors allows designers a new level of creativity. Less power consumption and no dimmer circuits makes the PLFRESNEL1 MKII LED Luminaire the obvious choice for any stage lighting need.

The PLFRESNEL1 MKII also hosts smart cable management with the inclusion of PLICB (PL Interconnect Box). The PLICB mounts to the luminaire's yoke, between the C-Clamp and the yoke and swivels independently to allow for the luminaire to move freely through its focus range with no need for a cable service loop. The PLICB allows for all of the luminaire's cabling with DMX and PowerCON in and through connections.

Selecon

PLFRESNEL1 MKII LED

FEATURES

- Delivers the performance of a 500 watt fresnel fixture with a maximum power consumption of 140 watts
- Variable beam angle from 15 to 54 degrees
- Infinite color choice from the RGBW engine and color temperatures in white
- Homogenized fully mixed color output light, no multiple color shadows
- 50,000 hours of life expectancy
- Quick selection of Warm White, Cool White, and Daylight
- User defined on board presets states available to record your color composition
- Color presets simplifies matching existing light sources
- Constant color balance down to very low light levels irrespective of intensity setting
- DMX512 Input/Output with 8 or 16-bit resolution and a simple 5-channel control
- RDM controls and setup of fixture allows device settings to be configured remotely
- On-board LCD menu is updated for ease of luminaire set up and addressing
- No ultra-violet (wavelengths of less than 400nm) - for UVA, B or C or the Infrared spectrum (wavelengths of more than 775nm)
- Electronic universal power supply 100-240VAC
- PowerCON In and Through connectors (PLICB)
- cETLus listed, C-Tick, and CE marked (IP20 Rated)

ADVANCED CONTROL

The PLFRESNEL1 MKII LED luminaire has an on-board LCD menu system for luminaire setup, control, and addressing. The revised menu system is extremely user-friendly, offering all the configuration options within a few button presses, speeding up setup.

CONSOLE CONTROL

All PLFRESNEL1 MKII luminaires now have added support for Remote Device Management (RDM) and DMX512 control. A choice of 8 or 16 bit control resolution or new, simple, 5-channel control is available. Extended color and color temperature control is provided by either the Strand NEO or Palette families of control consoles to simplify programming and luminaire color matching.

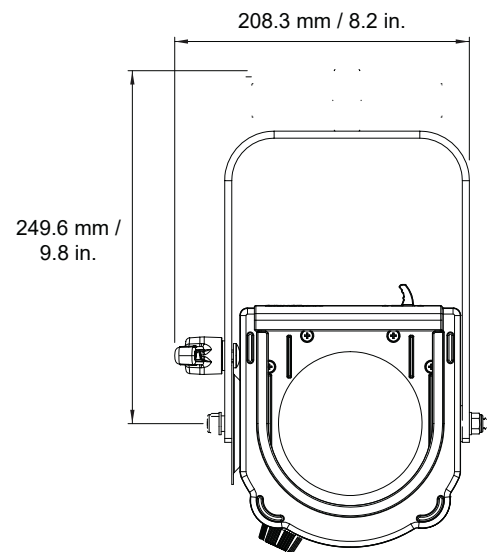
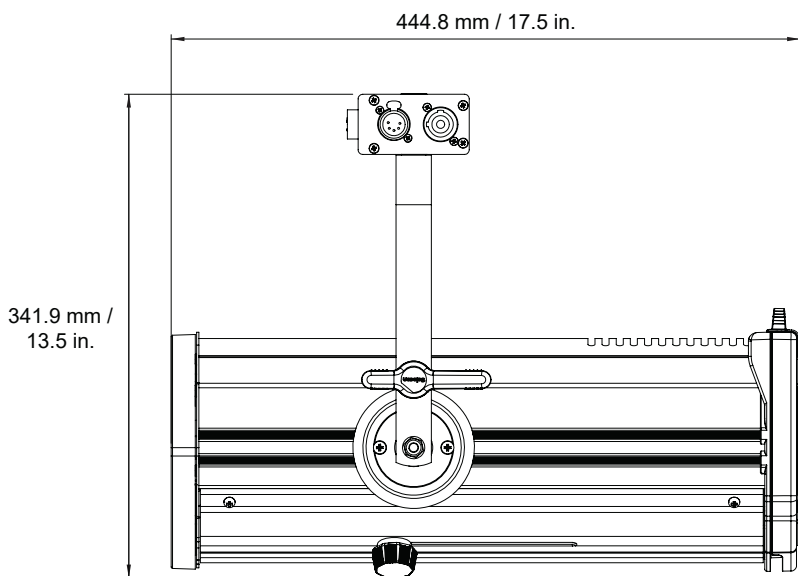
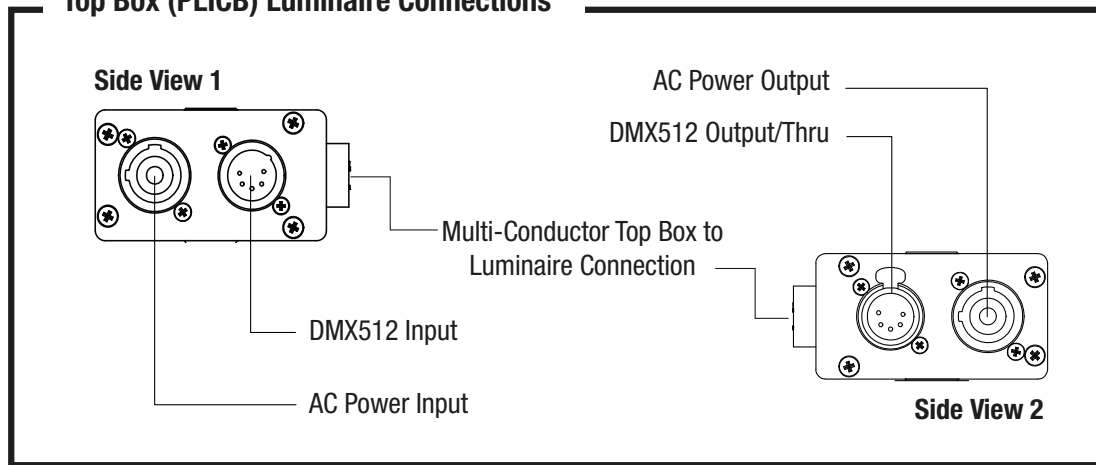
Selecon

PLFRESNEL1 MKII LED

PLFRESNEL1 MKII LED ENGINE

The PLFRESNEL1 MKII luminaire's powerful LED engine offers exceptional performance and life. Under normal operating conditions our LED engine has a life expectancy in excess of 50,000 hours, however under worse case operating conditions with the luminaire set to continuous full output, it is possible that a small percentage of LEDs may require replacement sooner. With the new LED engine, power consumption has been reduced by approximately 7%, while color consistency has been greatly improved, ensuring unit-to-unit matching of colors.

Top Box (PLICB) Luminaire Connections



Selecon

PLFRESNEL1 MKII LED

SOURCE		
Type	True RGBW LED engine, using custom designed LED array	
Wattage (max)	140W	
OPTICAL PERFORMANCE		
Output lumens	>2000 (full RGBW white light)	
Output CRI	>80 @4000K white LED only	
BEAM		
Beam angle	15-54°	
POWER		
Operating voltage	100-240VAC	
Frequency	50 / 60 Hz	
Standby	5W	
Current @ 120V	1.2A	
Current @ 240V	0.6A	
DATA CONNECTIONS		
DMX512	Input, output / thru 15 Channels (16-Bit Mode) 9 Channels (8-Bit Mode) 5 Channels (5-Channel Mode)	
AC power	Input / output	
Multi-conductor	Top box to luminaire connection	
Control	On-board menu / DMX512 / RDM	
PHYSICALS		
IP Rating	IP20	
Finish	Black	
Construction	Machined aluminum, sheet metal, and molded engineering grade plastic components	
ENVIRONMENT		
	°C	°F
Ambient temperature	0-40	32-104
DIMENSIONS		
	mm	in
H x W x D	341.9 x 444.8 x 208.3	13.5 x 17.5 x 8.2
WEIGHT		
	kg	lb
Net weight	6.8	15
WARRANTY & APPROBATIONS		
Warranty	2 years	
Approvals / Listings	cETLus Listed, CE and C-Tick Mark	

Selecon

PLFRESNEL1 MKII LED

PRODUCT NAME	ORDER CODE
PLFRESNEL1 MKII LED Luminaire, 15-54 Degree Fresnel, Black, with Top Box (Interconnect) Assembly, SC C-Clamp, Safety Cable, and AC Input Cable*	PLFR1MKII-03
ACCESSORIES - BARN DOOR	
Acclaim Fresnel Barndoor, 4-Way, Black	20BDMF
ACCESSORIES - CLAMPS	
Selecon Molded Yoke Rated C-Clamp	SC
Mega Claw, Black Anodized	MC
ACCESSORIES - TOP BOX ASSEMBLY	
Spare Top Box (Interconnect) Assembly	PLICB
ACCESSORIES - AC POWER INPUT CABLES	
39 inches / 1 meter, PowerCON without AC connector (bare end)	PC1BE
39 inches / 1 meter, PowerCON with Stagepin connector	PC1GP
39 inches / 1 meter, PowerCON with Twistlock Connector	PC1GTL
39 inches / 1 meter, PowerCON with Edison Connector	PC1GR
ACCESSORIES - AC INTERCONNECT CABLES	
PowerCON Male to PowerCON Female 2.5 Meter Cable for interconnection between units	PC3PC
ACCESSORIES - LUMINAIRE SOFTWARE UPLOADER CABLE	
USB Luminaire Software Programming Kit (for updating luminaire firmware) - includes USB Upload Cable, QuickStart Guide, and Carry Bag	PEGASUS

*Specify AC input connector at time of ordering (GR - Edison / GP -Grounded Stagepin / GTL - Twistlock).

© 2018 Signify Holding. All rights reserved.

All trademarks are owned by Signify Holding or their respective owners. The information provided herein is subject to change, without notice. Signify does not give any representation or warranty as to the accuracy or completeness of the information included herein and shall not be liable for any action in reliance thereon. The information presented in this document is not intended as any commercial offer and does not form part of any quotation or contract, unless otherwise agreed by Signify. Data subject to change.

Ref: PLFR1MKII-03-100-00