

LED WORK LIGHT

130 Watt White LED

WL-130

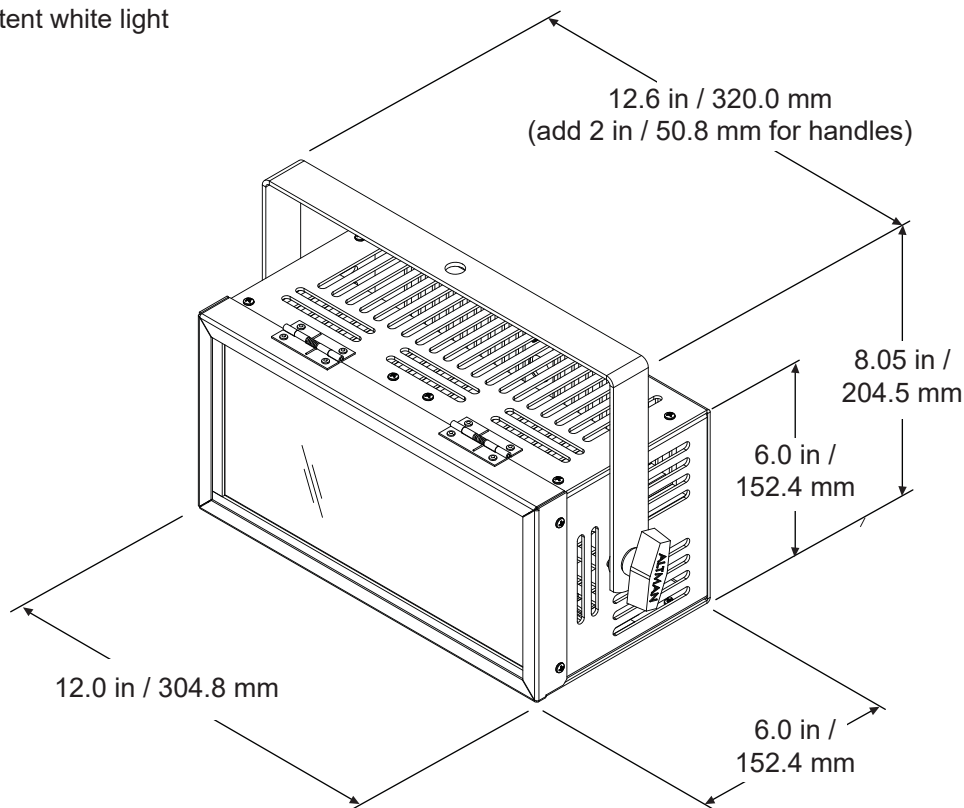
The Altman Lighting LED Work Light is the ideal work light solution for any theatre space, large or small. The 3000K or 5000K, 130W single point source provides 10,000 lumens and offers a true tungsten look and feel. The LED Work Light comes with a metal filter frame for use with diffusion and color filters.

The Altman LED Work Light functions as an on/off only fixture for ease of use and offers yoke mounting making it an easy retrofit solution.



Product Features:

- Designed as a cost effective, high impact LED work light solution
- 3000K or 5000K white, 90 CRI
- > 10,000 Lumens
- Asymmetrical reflector providing even light distribution
- Black or White finish available
- Uniform consistent white light
- Weight: 12 lbs. / 5.45 kg (approximate)
- Convection cooled, no fans
- cETLus listed, IP20 rated for indoor use only
- Made in the USA



Specifications

- Materials:** Corrosion-resistant materials and hardware.
- Housing:** Light weight aluminum construction.
- Input Rating:** 110-277VAC (auto-ranging), 50/60Hz.
- Operation:** ON or OFF only. Not dimmable.
- AC Input Cable:** 5-foot power input cable with bare ends.
- Source:** 130 Watts, 3000K or 5000K White
- Output:** > 10,000 Lumens
- Yoke:** Rigid flat steel with locking-dog tilt handle.
- Weight:** Approx. 12 lbs. (5.45 kg)
- Finish:** Black or White. Custom colors - consult factory.

Ordering Information

- WL-130-(LED Array)-(Body Color)**
 Models: WL-130 LED Work Light
 LED Arrays: 3K or 5K
 Colors: Black (B) or White (W) or Custom (C)* *Consult factory for custom colors.

Included Accessories

- 70-3259-** Color Frame with Diffusing Gel
- SC-36-BK Safety Cable
- 510 Malleable Iron Pipe Clamp (510)

**Black (B) or White (W) or Custom (C). Consult factory for custom colors.

Optional Accessories

- WL-BD-BK** Black Work Light Barn Doors
- WL-BD-WH** White Work Light Barn Doors
- WL-BD-CP** Custom Paint Work Light Barn Doors (Consult factory for custom colors.)

| Performance | | | | |
|--------------------|-----------------------------|------------------------------|------------------------------|------------------------------|
| Throw Distance (d) | 4' / 1.2m | 6' / 1.8m | 8' / 2.4m | 10' / 3.0m |
| Beam Size (HxV) | 9.3' x 10.0' 2.8m x 3.0m | 14.0' x 15.0' 4.3m x 4.6m | 18.7' x 20.0' 5.7m x 6.1m | 23.3' x 25.0' 7.1m x 7.6m |
| Illuminance (fc) | 177 | 79 | 44 | 28 |
| Illuminance (lux) | 1,905 | 850 | 474 | 301 |